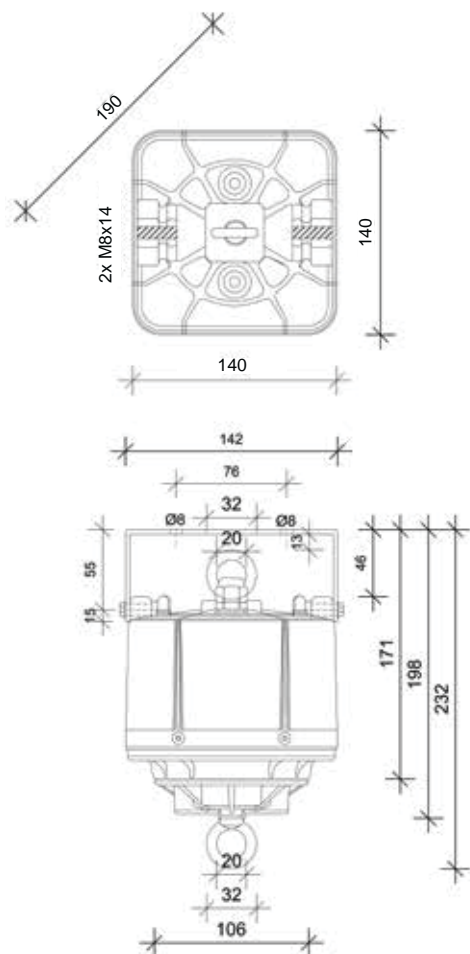


Compact Type Standard

Compact size and easy installation makes the Compact range the preferred solution for standard applications such as highbays, lowbays, downlights and fluorescents weighing 12kg to 15kg.



Dimensions:
CSI-12, CDI-15, CDI-15 M

Compact Type	CSI-12	CDI-15
Lifting capacity	5-12 kg	7-15 kg
Lowering distance	15 m	10 m
Suspension cable	single	dual
Motor supply and lighting circuit	common	common
Power supply motor	100-277 V AC /50-60Hz; 30W	
Lighting circuit	16A, 230V AC	16A, 230V AC
Auxiliary contacts / capacity	-	-
Protection category / class	IP 54/I	IP 54/I
Temperature range	-15 °C to + 60 °C	-15 °C to + 60 °C
Net weight / with packaging	3,2/3,4 kg	3,3/3,5 kg